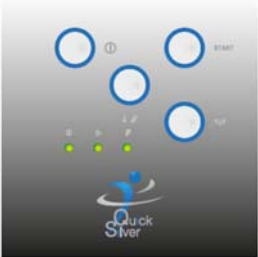

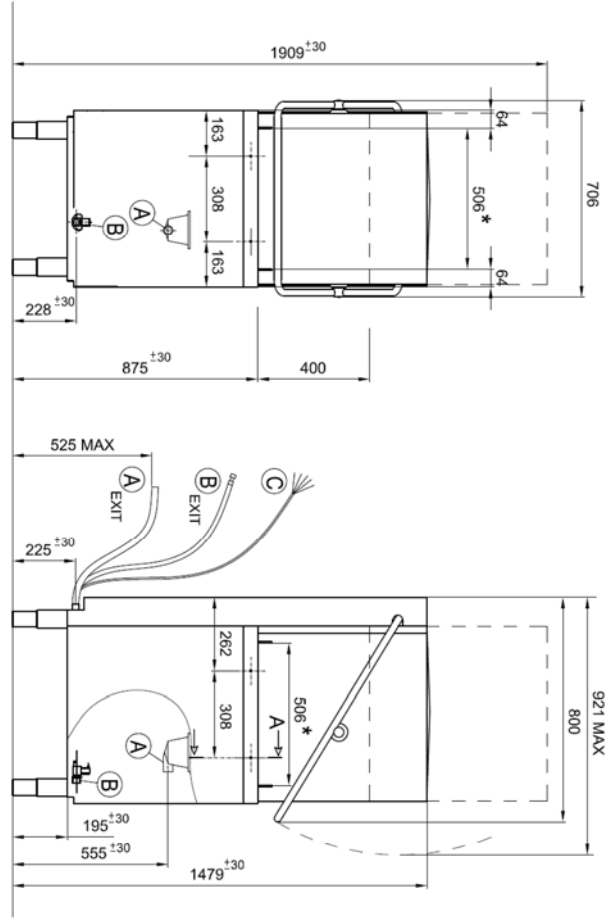
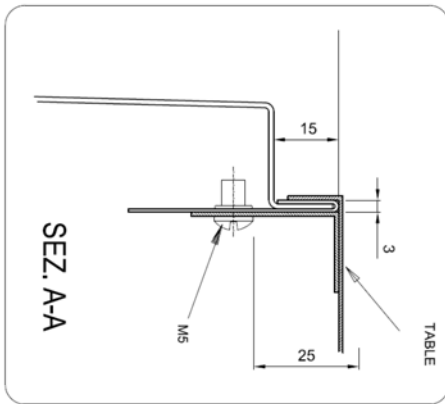
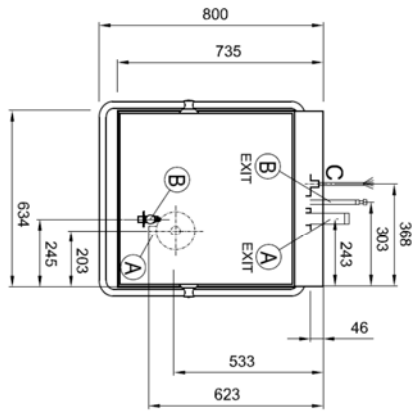


↓	Model	QUICKSILVER 800	
	Code Production	TH50STQSDDPS	
Interface :			
			
↕	Overall Dimension (Width-Depth-Height) *open	<i>mm</i>	706x800x1479(1909*)
	Packaging Dimension (WxDxH)	<i>mm</i>	760x840x1520
	Gross weight	<i>Kg</i>	100
	Net weight	<i>Kg</i>	90
	Volume	<i>mc</i>	0,97
□	Rack size	<i>mm</i>	500x500
	Max door /hood opening	<i>mm</i>	400
	Max glasses/plate Height	<i>mm</i>	380
	General construction		double skin
	Door/hood Construction		single skin
↘	Tank construction		deep drawn
	Tank volume	<i>liter</i>	15
	Tank heating element	<i>W</i>	2.100
	Tank surface strainers		yes- composite
⚙️	Wash pump type		double flow
	Wash pump power	<i>W</i>	500
	Wash temperature	<i>°C</i>	55
↘	Boiler type		pressurized
	Boiler volume	<i>liter</i>	6
	Back-flow system		valve
	Boiler heating element	<i>W</i>	8.000
⚙️	Rinse booster pump		NO
	Rinse booster pump power	<i>W</i>	-
	Rinse temperature	<i>°C</i>	80
	Rinse water consumption	<i>Liter /rack</i>	2,4
	Optimal external water pressure	<i>bar</i>	2
🚰	Drain system		deep drain
	Drain pump		standard built in
▶	Rinse aid dispenser		YES
	Detergent dispenser		YES
🕒	Wash cycle	<i>sec</i>	90 - 150
	Electric Power	<i>W</i>	8.500
⚡	Electric Connection	<i>V - ph - Hz</i>	400V 3N 50Hz
	Fuse	<i>A</i>	16
	Plates racks	<i>n°</i>	780131
▶	Flat Rack	<i>n°</i>	780132
	Cutterly Rack	<i>n°1</i>	780139
	Electric cable	<i>n°</i>	YES
	Drain hose	<i>n°</i>	YES
	Fill hose	<i>n°</i>	YES

A		∅ 35 mm M	A		∅ 35 mm M
B		G 3/4" M	B		G 3/4" F
C		Power supply			



* LUCE UTILE PER CESTELLO
 USEFUL SPACE FOR BASKET
 LUMIERE UTILE POUR PANIER
 NUTZBARE OFFNUNG FÜR KORBE
 ABERTURA UTILI PARA CESTO

Designed by:
 M.P.UCCI

Date:
 03.12.2019

Installation layout
 Hood type

Code:
 69496A_01

